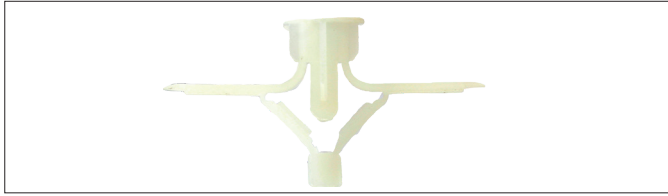


BUTTERFLY PLASTIC ANCHOR



29.11 PRODUCT DATA

Material Coating:

- White Plastic

29.12 PRODUCT DESCRIPTION

The Macsim Plastic Toggles are designed to give simple cost effective performance in plasterboard by springing out in the cavity. They will accept standard self tapping or chipboard screws.

29.14 APPLICATIONS

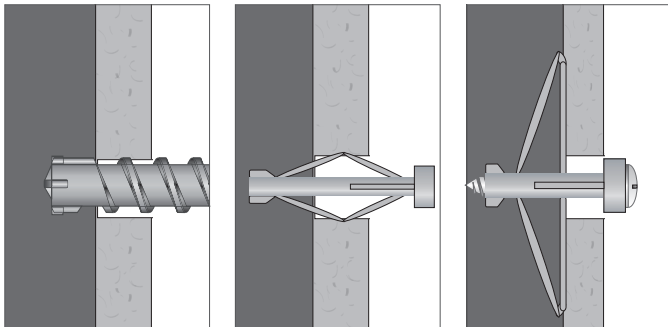
- Plasterboard

29.13 INSTALLATION METHOD

1. Drill clearance hole in plasterboard or wall board.
2. Attach the toggle to supplied insertion tool.
3. Push assembly through hole and release.
4. Screw attachment using the correct length of 6 or 8 gauge screw.

29.15 ADVANTAGES

- Easy Installation
- Superior Holding Power



Code	Size (mm)	Diameter (mm)	Thickness (mm)	Screw Size (Gauge)	Min. Screw Length (mm)
06B12	12	8	4-12	6-8	30
06B19	19	8	15-19	6-8	40

29.17 TECHNICAL PERFORMANCE AND MATERIAL SPECIFICATION

CODE	Size (mm)	Advisory SWL Tension Plasterboard 10mm N	Advisory SWL Tension Plasterboard 19mm N	Material
06B12	12	100	n/a	Nylon 60
06B19	19	n/a	150	Nylon 60