

MACSIM®

SCREWDRIVER Bits



* BARCODE PREFIX: 9312862

* BARCODE PREFIX: 9312862

PRODUCT CODE	PACK QTY	PACK BARCODE
--------------	----------	--------------

SCREWDRIVER BIT MERCHANDISER

26 BIN SCREWDRIVER DISPLAY UNIT COUNTER MERCHANDISER

99DSM	1	-	N/A
-------	---	---	-----



PRODUCT CODE	SIZE	LENGTH (mm)	SHANK	PACK QTY	PACK BARCODE
--------------	------	-------------	-------	----------	--------------

OPTIDRIVE HI-TORQUE PHILLIPS DRIVE BITS: Magnetised

FEATURES A DUAL TORSION ZONE TO ABSORB STRESS ON THE TIP, GIVING OPTIMAL PERFORMANCE WITH IMPACT DRIVING. 30% MORE STRENGTH THAN A STANDARD PHILLIPS BIT.



Bulk Pack					
47XUCS2	No.2	25	SHORT	10	223758
47XUCE2	No.2	50	LONG	10	223765
47XUCE23	No. 2	75	LONG	10	223772
47XUCE24	No.2	100	LONG	10	223789

Blister Pack					
47UCS2	No.2	25	SHORT	1	223673
47UCE2	No. 2	50	LONG	1	223680
47UCE23	No. 2	75	LONG	1	223697
47UCE24	No. 2	100	LONG	1	223703

OPTIDRIVE HI-TORQUE PHILLIPS DRIVE BITS: Magnetised — Double End

FEATURES A DUAL TORSION ZONE TO ABSORB STRESS ON THE TIP, GIVING OPTIMAL PERFORMANCE WITH IMPACT DRIVING. 30% MORE STRENGTH THAN A STANDARD PHILLIPS BIT.



Bulk Pack					
47XUCLD	No. 2	65	DOUBLE END	10	223796

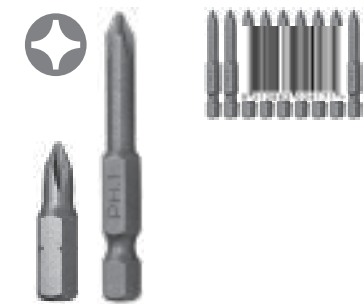
Blister Pack					
47UCLD	No. 2	65	DOUBLE END	1	223710

PRODUCT CODE	SIZE	LENGTH (mm)	SHANK	PACK QTY	PACK BARCODE
--------------	------	-------------	-------	----------	--------------

PHILLIPS DRIVE BITS

SANDBLASTED

MADE FROM QUALITY TOOL STEEL WITH A HARDENED STEEL TIP THAT GUARANTEES A HIGHER TORQUE AND INCREASED DRIVING POWER.



Bulk Pack					
47XCS1	No. 1	25	SHORT	10	028216
47XCS2	No. 2	25	SHORT	10	024249
47XCS3	No. 3	25	SHORT	10	051573
47XCE1	No. 1	50	LONG	10	060230
47XCE2	No. 2	50	LONG	10	024171
47XCE23	No. 2	75	LONG	10	024188
47XCE24	No. 2	100	LONG	10	024195
47XCE26	No. 2	150	LONG	10	024218
47XCE3	No. 3	50	LONG	10	051566
47XCE4	NO. 4	50	LONG	10	047859



Blister Hang Pack					
47CS1	No. 1	25	SHORT	2	005170
47CS2	No. 2	25	SHORT	2	005187
47CS3	No. 3	25	SHORT	2	005194
47CE1	No. 1	50	LONG	1	005200
47CE2	No. 2	50	LONG	1	005217
47CE23	No. 2	75	LONG	1	005248
47CE24	No. 2	100	LONG	1	002025
47CE26	No. 2	150	LONG	1	037034
47CE3	No. 3	50	LONG	1	005231

PHILLIPS DRIVE BITS: Double End

SANDBLASTED

MADE FROM QUALITY TOOL STEEL WITH A HARDENED STEEL TIP THAT GUARANTEES A HIGHER TORQUE AND INCREASED DRIVING POWER.



Bulk Pack					
47XCED	No. 2	45	DOUBLE END	10	024225
47XCLD	No. 2	65	DOUBLE END	10	024232



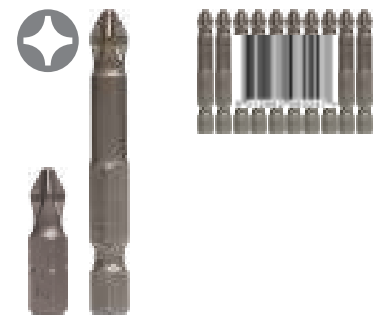
Blister Hang Pack					
47CED	No. 2	45	DOUBLE END	1	005262
47CLD	No. 2	65	DOUBLE END	1	005279

* BARCODE PREFIX: 9312862

* BARCODE PREFIX: 9312862

PHILLIPS DRIVE BITS: Grabber **SANDBLASTED**

MADE FROM QUALITY TOOL STEEL WITH A HARDENED STEEL TIP THAT GUARANTEES A HIGHER TORQUE AND INCREASED DRIVING POWER.



Bulk Pack						
PRODUCT CODE	SIZE	LENGTH (mm)	SHANK	PACK QTY	PACK BARCODE	
47XGS2	No. 2	25	SHORT	10	020821	
47XGE2	No. 2	50	LONG	10	060247	
47XGE23	No. 2	75	LONG	10	060254	
47XGE24	No. 2	100	LONG	10	224601	
47XGE26	No. 2	150	LONG	10	224618	

PHILLIPS DRIVE BITS: Drywall **SANDBLASTED**

MADE FROM QUALITY TOOL STEEL WITH A HARDENED STEEL TIP THAT GUARANTEES A HIGHER TORQUE AND INCREASED DRIVING POWER.



Bulk Pack						
PRODUCT CODE	SIZE	LENGTH (mm)	SHANK	PACK QTY	PACK BARCODE	
47XDS2	No. 2	25	DRYWALL	10	047866	

PHILLIPS DRIVE BITS: Grabber - Ultra Bit **SANDBLASTED**

MADE FROM QUALITY TOOL STEEL WITH A HARDENED STEEL TIP THAT GUARANTEES A HIGHER TORQUE AND INCREASED DRIVING POWER.



Bulk Pack						
PRODUCT CODE	SIZE	LENGTH (mm)	SHANK	PACK QTY	PACK BARCODE	
47XMCE2	No. 2	50	LONG	10	102640	
47XMCE23	No. 2	75	LONG	10	102657	
47XMCE24	No. 2	100	LONG	10	102664	
47XMCS2	No. 2	25	SHORT	10	102633	
Blister Pack						
PRODUCT CODE	SIZE	LENGTH (mm)	SHANK	PACK QTY	PACK BARCODE	
47MCE2	No. 2	50	LONG	2	102565	
47MCE23	No. 2	75	LONG	1	102572	
47MCE24	No. 2	100	LONG	1	102589	
47MCS2	No. 2	25	SHORT	2	102558	
Tic Tac Pack						
PRODUCT CODE	SIZE	LENGTH (mm)	SHANK	PACK QTY	PACK BARCODE	
47TMCE2	No. 2	50	LONG	10	102817	
47TMCS2	No. 2	25	SHORT	10	102824	

OPTIDRIVE HI-TORQUE SQUARE DRIVE BITS: Magnetised

FEATURES A DUAL TORSION ZONE TO ABSORB STRESS ON THE TIP, GIVING OPTIMAL PERFORMANCE WITH IMPACT DRIVING. 30% MORE POWER THAN A STANDARD PHILLIPS BIT.



Bulk Pack						
PRODUCT CODE	SIZE	LENGTH (mm)	SHANK	PACK QTY	PACK BARCODE	
47XUQS2	No. 2	25	SHORT	10	223802	
47XUQE2	No. 2	50	LONG	10	223819	
47XUQE23	No. 2	75	LONG	10	223826	

Blister Pack						
PRODUCT CODE	SIZE	LENGTH (mm)	SHANK	PACK QTY	PACK BARCODE	
47UQS2	No. 2	25	SHORT	1	223727	
47UQE2	No. 2	50	LONG	1	223734	
47UQE23	No. 2	75	LONG	1	223741	

SQUARE DRIVE BITS **SANDBLASTED**

MADE FROM QUALITY TOOL STEEL WITH A HARDENED STEEL TIP THAT GUARANTEES A HIGHER TORQUE AND INCREASED DRIVING POWER.



Bulk Pack						
PRODUCT CODE	SIZE	LENGTH (mm)	SHANK	PACK QTY	PACK BARCODE	
47XQS1	No. 1	25	SHORT	10	024393	
47XQS2	No. 2	25	SHORT	10	024409	
47XQS3	No. 3	25	SHORT	10	058220	
47XQE1	No. 1	50	LONG	10	051597	
47XQE14	No. 1	100	LONG	10	053201	
47XQE2	No. 2	50	LONG	10	024362	
47XQE23	No. 2	70	LONG	10	024379	
47XQE24	No. 2	100	LONG	10	072660	
47XQE26	No. 2	150	LONG	10	045169	
47XQE3	No. 3	50	LONG	10	064191	
47XQE33	No. 3	75	LONG	10	065792	

Tic Tac Pack						
PRODUCT CODE	SIZE	LENGTH (mm)	SHANK	PACK QTY	PACK BARCODE	
47TQE2	No. 2	50	LONG	10	102619	

* BARCODE PREFIX: 9312862

* BARCODE PREFIX: 9312862

SQUARE DRIVE BITS **SANDBLASTED**

MADE FROM QUALITY TOOL STEEL WITH A HARDENED STEEL TIP THAT GUARANTEES A HIGHER TORQUE AND INCREASED DRIVING POWER.



Blister Hang Pack						
PRODUCT CODE	SIZE	LENGTH (mm)	SHANK	PACK QTY	PACK BARCODE	
47QS1	No. 1	25	SHORT	2	024072	
47QS2	No. 2	25	SHORT	2	005378	
47QE2	No. 2	50	LONG	1	005385	
47QE23	No. 2	75	LONG	1	005392	
47QE24	No. 2	100	LONG	1	045152	
47QE26	No. 2	150	LONG	1	065051	
47QE3	No. 3	50	LONG	10	064184	
47QE33	No. 3	75	LONG	10	065785	

STAR DRIVE INSERT BITS: No Pin **SANDBLASTED**

MADE FROM QUALITY TOOL STEEL WITH A HARDENED STEEL TIP THAT GUARANTEES A HIGHER TORQUE AND INCREASED DRIVING POWER.



Bulk Pack						
PRODUCT CODE	SIZE	LENGTH (mm)	SHANK	PACK QTY	PACK BARCODE	
47XT20	T20	25	SHORT	10	045091	
47XT25	T25	25	SHORT	10	028223	
47XT30	T30	25	SHORT	10	050811	
Bulk Pack						
PRODUCT CODE	SIZE	LENGTH (mm)	SHANK	PACK QTY	PACK BARCODE	
47XTE25	T25	50	LONG	10	229330	
47XTE30	T30	50	LONG	10	229347	
47XTE40	T40	50	LONG	10	229354	
Blister Hang Pack						
PRODUCT CODE	SIZE	LENGTH (mm)	SHANK	PACK QTY	PACK BARCODE	
47TE20	T20	50	LONG	1	211632	
47TE25	T25	50	LONG	1	211649	
47TE30	T30	50	LONG	1	211656	
47TE40	T40	50	LONG	1	229323	

STAR DRIVE INSERT BITS: Pin **SANDBLASTED**

MADE FROM QUALITY TOOL STEEL WITH A HARDENED STEEL TIP THAT GUARANTEES A HIGHER TORQUE AND INCREASED DRIVING POWER.



Bulk Pack						
PRODUCT CODE	SIZE	LENGTH (mm)	SHANK	PACK QTY	PACK BARCODE	
47XT20P	T20	25	SHORT	10	045084	
47XT25P	T25	25	SHORT	10	024430	
Blister Hang Pack						
PRODUCT CODE	SIZE	LENGTH (mm)	SHANK	PACK QTY	PACK BARCODE	
47TS20P	T20	25	SHORT	1	216422	

Image pack not available

POZI DRIVE BITS **SANDBLASTED**

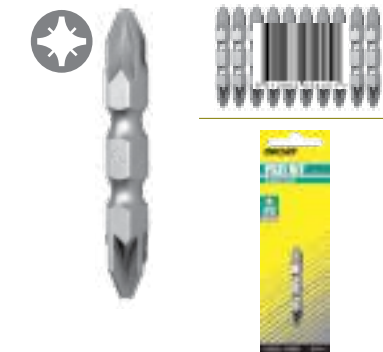
MADE FROM QUALITY TOOL STEEL WITH A HARDENED STEEL TIP THAT GUARANTEES A HIGHER TORQUE AND INCREASED DRIVING POWER.



Bulk Pack						
PRODUCT CODE	SIZE	LENGTH (mm)	SHANK	PACK QTY	PACK BARCODE	
47XPS1	No. 1	25	SHORT	10	052433	
47XPS2	No. 2	25	SHORT	10	024355	
47XPS3	No. 3	25	SHORT	10	053195	
47XPE1	No. 1	50	LONG	10	053959	
47XPE2	No. 2	50	LONG	10	051580	
47XPE3	No. 3	50	LONG	10	053966	
Blister Hang Pack						
PRODUCT CODE	SIZE	LENGTH (mm)	SHANK	PACK QTY	PACK BARCODE	
47PS1	No. 1	25	SHORT	2	005286	
47PS2	No. 2	25	SHORT	2	005293	
47PS3	No. 3	25	SHORT	2	005309	
47PE1	No. 1	50	LONG	1	005316	
47PE2	No. 2	50	LONG	1	005330	
47PE3	No. 3	50	LONG	1	005347	

POZI DRIVE BITS: Double End **SANDBLASTED**

MADE FROM QUALITY TOOL STEEL WITH A HARDENED STEEL TIP THAT GUARANTEES A HIGHER TORQUE AND INCREASED DRIVING POWER.



Bulk Pack						
PRODUCT CODE	SIZE	LENGTH (mm)	SHANK	PACK QTY	PACK BARCODE	
47XPED	No. 2	45	DOUBLE END	10	054451	
47XPLD	No. 2	65	DOUBLE END	10	054468	
Blister Hang Pack						
PRODUCT CODE	SIZE	LENGTH (mm)	SHANK	PACK QTY	PACK BARCODE	
47PED	No. 2	45	DOUBLE END	1	002117	
47PLD	No. 2	65	DOUBLE END	1	005361	

HEX INSERT BITS **SANDBLASTED**

MADE FROM QUALITY TOOL STEEL WITH A HARDENED STEEL TIP THAT GUARANTEES A HIGHER TORQUE AND INCREASED DRIVING POWER.



Bulk Pack						
PRODUCT CODE	SIZE	LENGTH (mm)	SHANK	PACK QTY	PACK BARCODE	
47XHS5	No.5	25	SHORT	10	024263	
47XHE4	No.4	50	LONG	10	222775	
47XHE5	No.5	50	LONG	10	020838	
47XHE6	No.6	50	LONG	10	228036	
47XHE8	No.8	50	LONG	10	228043	
47XHE10	No.10	50	LONG	10	228050	
Blister Hang Pack						
PRODUCT CODE	SIZE	LENGTH (mm)	SHANK	PACK QTY	PACK BARCODE	
47THE5	No. 5	50	LONG	10	102626	
Blister Hang Pack						
PRODUCT CODE	SIZE	LENGTH (mm)	SHANK	PACK QTY	PACK BARCODE	
47HS4	No.4	25	SHORT	1	028230	
47HS5	No.5	25	SHORT	1	005088	
47HS6	No.6	25	SHORT	1	029732	
47HE4	No.4	50	LONG	1	222782	
47HE5	No.5	50	LONG	1	064177	

* BARCODE PREFIX: 9312862

* BARCODE PREFIX: 9312862

PRODUCT CODE	SIZE	LENGTH (mm)	SHANK	PACK QTY	PACK BARCODE
SLOTTED INSERT BITS					SANDBLASTED

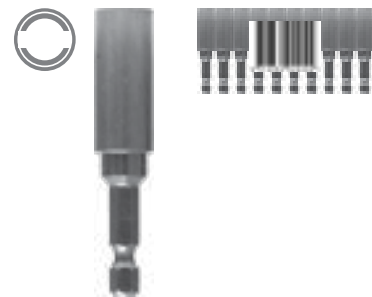
MADE FROM QUALITY TOOL STEEL WITH A HARDENED STEEL TIP THAT GUARANTEES A HIGHER TORQUE AND INCREASED DRIVING POWER.



Blister Hang Pack					
47SS06	0.6 x 4	25	SHORT	1	005095
47SE06	0.6 x 4	50	LONG	1	005132
47SE08	0.8 x 5	50	LONG	1	005149
47SE10	1 x 6	50	LONG	1	005156

EYE SELF DRILLING BITS					SANDBLASTED
-------------------------------	--	--	--	--	--------------------

FOR USE WITH PURLIN SELF DRILLING SCREW ANCHOR. SEE PAGE 20.



Bulk Pack					
47XPE	-	50	-	10	067086

SECURITY SCREW SOCKET BITS					SANDBLASTED
-----------------------------------	--	--	--	--	--------------------

FOR USE WITH SECURITY ROUND WASHER HEAD SCREWS. SEE PAGE 243.



Bulk Pack					
47XR2	-	65	-	1	083406

MAGNETIC BIT HOLDER					SANDBLASTED
----------------------------	--	--	--	--	--------------------

FOR USE WITH ALL SCREW DRIVER BITS.



Bulk Pack					
47XBHMS	1/4	50	SHORT	10	047842
47XBHM	1/4	75	LONG	10	024164
Blister Hang Pack					
47BHM	1/4	75	LONG	1	005163

PRODUCT CODE	SIZE	LENGTH (mm)	SHANK	PACK QTY	CARTON QTY INNER QTY	PACK BARCODE
MAGNETIC SOCKETS					SANDBLASTED	

FOR USE WITH HEX WASHER FACE HEAD SCREWS.



Bulk Pack						
47XMS1	1/4	42	SHORT	10		024317
47XMS2	5/16	42	SHORT	10		024331
47XMS3	3/8	42	SHORT	10		024348
47XML1	1/4	65	LONG	10		024270
47XML2	5/16	65	LONG	10		024294
47XM2150	5/16	150	LONG	10		074800
47XM2300	5/16	300	LONG	10		074817
47XML3	3/8	65	LONG	10		024300



Blister Hang Pack						
47MS1	1/4	42	SHORT	1		005019
47MS2	5/16	42	SHORT	1		005033
47MS3	3/8	42	SHORT	1		005040
47ML1	1/4	65	LONG	1		005057
47ML2	5/16	65	LONG	1		005064
47M2100	5/16	100	LONG	1		224571
47ML3	3/8	35	SHORT	1		005071



Socket Adapter Pack						
47AS50	1/4, 1/2, 3/8			3		102671

MAGNETIC SOCKETS: Quick Release					SANDBLASTED
--	--	--	--	--	--------------------

FOR USE WITH SCREWDRIVER BITS.



Image pack not available

Blister Hang Pack					
47MQ265	5/16	65	SHORT	1	074787
47MQ2145	5/16	145	LONG	1	074794

PRODUCT CODE	DESCRIPTION	PACK QTY	CARTON QTY INNER QTY	PACK BARCODE
SCREW DEPTH SETTER TOOL: Suits 1/4" Hex Driver Bits				SANDBLASTED

FOR CONSISTENT SCREW DEPTH EVERYTIME! FEATURES A LOCKING RING, ADJUSTMENT DEPTH SETTER & MAGNETIC END.



Blister Hang Pack				
47DS14	SUITS 1/4" HEX DRIVER BITS	1		222799